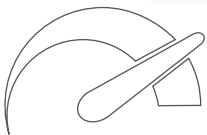
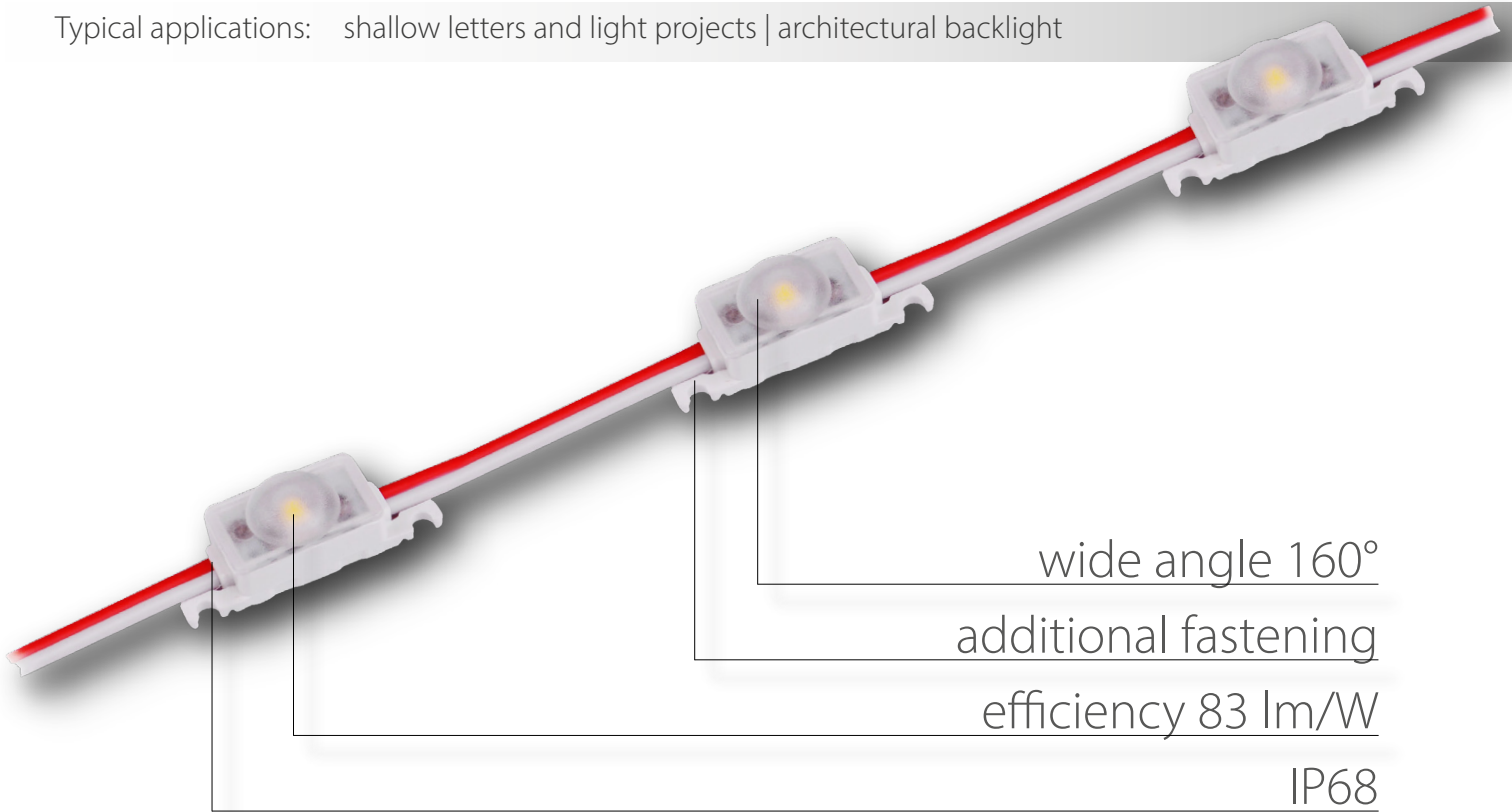


TYPE:

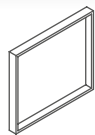
LED MODULE

gMAX₁

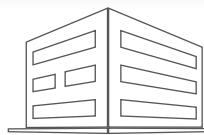
Typical applications: shallow letters and light projects | architectural backlight



HIGH PERFORMANCE



SMALL DEPTH
LIGHT PROJECTS



ARCHITECTURAL
BACKLIGHT



5 years
warranty



DC
12V



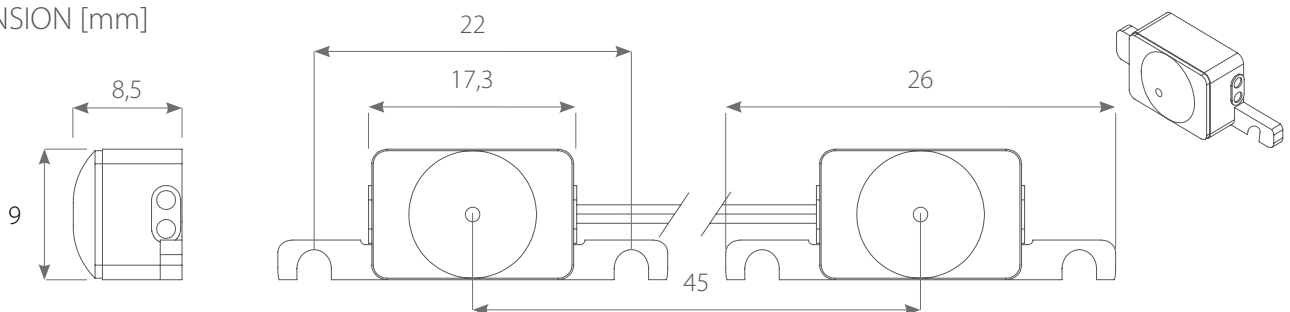
50 000h



CE

gMAX₁ is a compact module with a very high degree of protection IP68 and a very wide operating temperature range (-20 °C - + 60 °C). A typical application of the product is very low advertising panels and spatial letters with a height of 30mm to 60mm. The module was made using a SAMSUNG LED diode. The whole thing is closed in a hermetic housing equipped with a lens with a wide beam angle of 160°. gMAX₁ is powered by 12VDC. It is possible to connect up to 50 modules in series.

DIMENSION [mm]



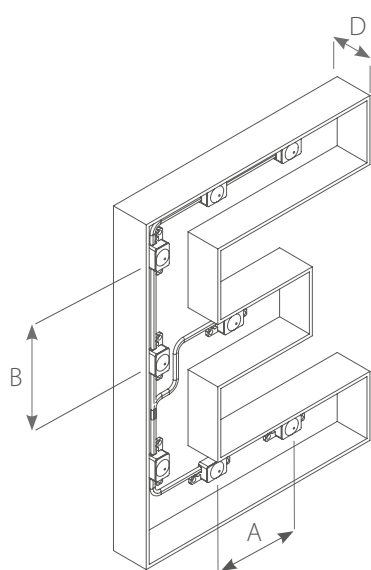
LEDlink

www.ledlink.de

| Type | gMAX ₁ | | | |
|---|-------------------|-------------|-------------|-------------|
| | W6,5K | W5K | W4K | W3K |
| Symbol | M140170 | M140140 | M140130 | M140110 |
| Color | white 6500K | biały 5000K | white 4000K | white 3000K |
| Voltage [V DC] | 12 | 12 | 12 | 12 |
| Current [mA] | 30 | 30 | 30 | 30 |
| Power consumption [W] | 0,36 | 0,36 | 0,36 | 0,36 |
| Luminous flux [lm] | 30 | 30 | 30 | 30 |
| Light output [lm/W] | 83 | 83 | 83 | 83 |
| Beam angle [°] | 160 | 160 | 160 | 160 |
| Degree of protection | IP68 | IP68 | IP68 | IP68 |
| Operating temperature [°C] | -20 - +50 | -20 - +50 | -20 - +50 | -20 - +50 |
| LEDs | SAMSUNG | SAMSUNG | SAMSUNG | SAMSUNG |
| Max. Number of modules in series [pcs.] | 50 | 50 | 50 | 50 |
| Lifetime [h] | 50.000 | 50.000 | 50.000 | 50.000 |
| Warranty [mc] | 60 | 60 | 60 | 60 |
| Packing [pcs.] | 100 | 100 | 100 | 100 |

* other version available: gMAX₁ W9,5K (white 9500K) - M140220, gMAX₁ W12K (white 12000K) - M140240

APPLICATION EXAMPLE



D - Depth

MOUNTING EXAMPLE *

| D [mm] | A [mm] | B [mm] | Brightness [cd/m ²] |
|--------|--------|--------|---------------------------------|
| 30 | 30 | 30 | 6418 |
| 40 | 35 | 35 | 4716 |
| 50 | 40 | 40 | 3611 |
| 60 | 45 | 45 | 2852 |

* The grid can change depending on the illuminated material

TABLE OF CONTENTS 