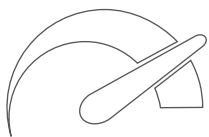


TYPE:

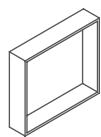
LED MODULE

gMAX₂

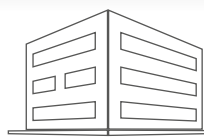
Typical applications: small and medium depth light projects | architectural backlight



HIGH PERFORMANCE



MEDIUM DEPTH
LIGHT PROJECTS



ARCHITECTURAL
BACKLIGHT



5 years
warranty



DC
12V



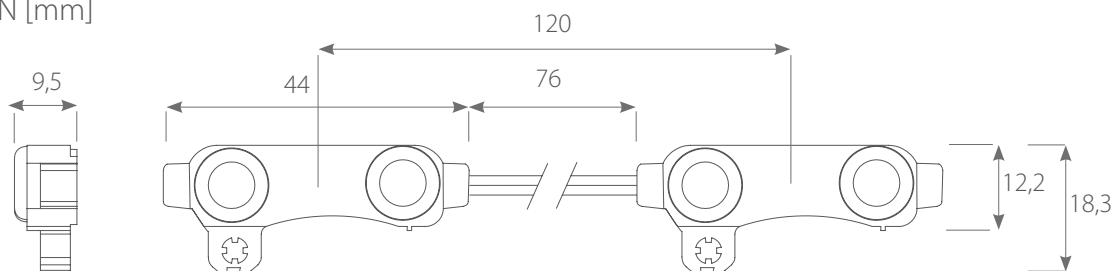
50 000h



CE

With the enormous value of 80 lm per module (89 lm/W), gMAX₂ stands out thanks to its very high light output and wide beam angle (160°). Because of that very homogeneous light can be achieved. The installation is very easy with use of the double-sided 3M™ adhesive tape and fixing hole. The gMAX₂ is protected against mechanical damage by a robust plastic housing. Thanks to the IP68 protection it is suitable to use in the wet outdoor area. It is possible to connect up to 50 modules in series.

DIMENSION [mm]



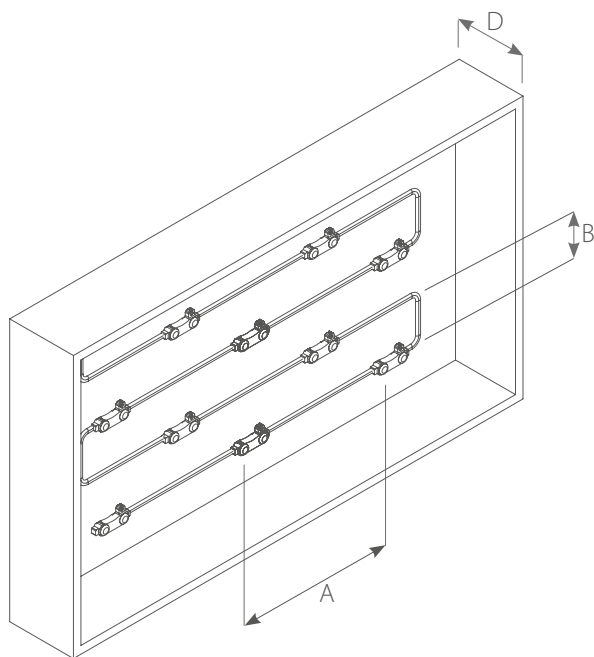
LEDlink

www.ledlink.de

Type	gMAX ₂			
	W6,5K	W5K	W4K	W3K
Symbol	M141170	M141140	M141130	M141110
Color	white 6500K	biały 5000K	white 4000K	white 3000K
Voltage [V DC]	12	12	12	12
Current [mA]	75	75	75	75
Power consumption [W]	0,9	0,9	0,9	0,9
Luminous flux [lm]	80	80	80	80
Light output [lm/W]	89	89	89	89
Beam angle [°]	160	160	160	160
Degree of protection	IP68	IP68	IP68	IP68
Operating temperature [°C]	-20 - +50	-20 - +50	-20 - +50	-20 - +50
LEDs	SAMSUNG	SAMSUNG	SAMSUNG	SAMSUNG
Max. Number of modules in series [pcs.]	50	50	50	50
Lifetime [h]	50.000	50.000	50.000	50.000
Warranty [mc]	60	60	60	60
Packing [pcs.]	50	50	50	50

* other version available: gMAX₂ W9,5K (white 9500K) - M141220, gMAX₂ W12K (white 12000K) - M141240

APPLICATION EXAMPLE



D - Depth

MOUNTING EXAMPLE *

D [mm]	A [mm]	B [mm]	Brightness [cd/m ²]
60	80	80	2407
80	90	90	1901
100	100	100	1540
120	100	120	1283
140	100	140	1100

* The grid can change depending on the illuminated material

TABLE OF CONTENTS 