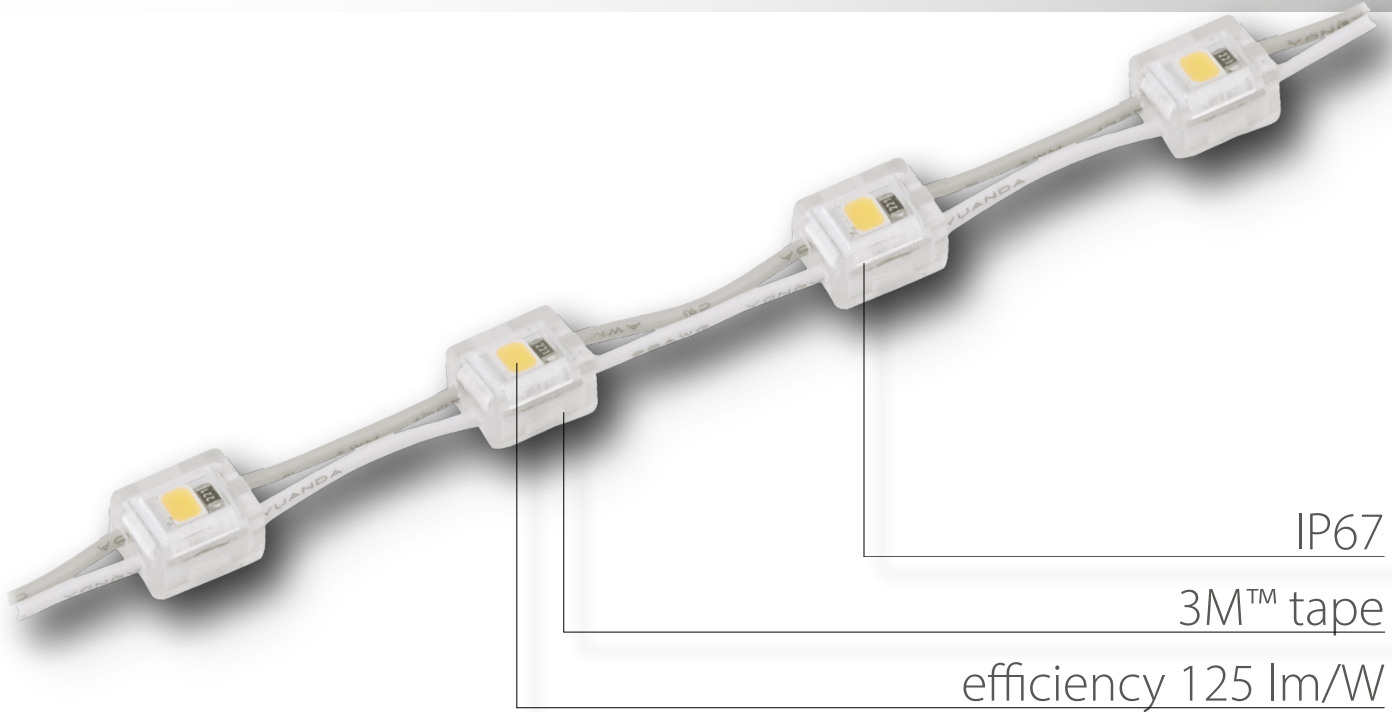


TYPE:

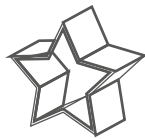
LED MODULE

micron_{12V-PY}

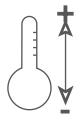
Typical applications: letters made of Plexiglass | custom applications



SHALL LETTERS
SPATIAL



CUSTOM
APPLICATIONS

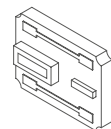
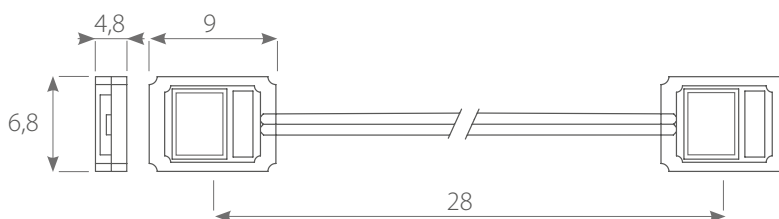


WIDE RANGE OF
TEMPERATURE



The micron_{12V-PY} module is a solution specially designed for highlighting spatial letters of very small depth. They can be placed in milled grooves and illuminate the front of the letter from behind. The modules can be mounted on a back wall as shown in the drawing. Thanks to the beam angle of 120°, high light output 125 lm/W and very effective heat dissipation, even very shallow systems can be illuminated homogeneously from approx. 30 mm. It is possible to connect up to 50 modules in series. The special module housing ensuring IP67 protection class means that micron_{12V-PY} can be used in external applications. Typical applications for 30mm deep acrylic plexiglass letters.

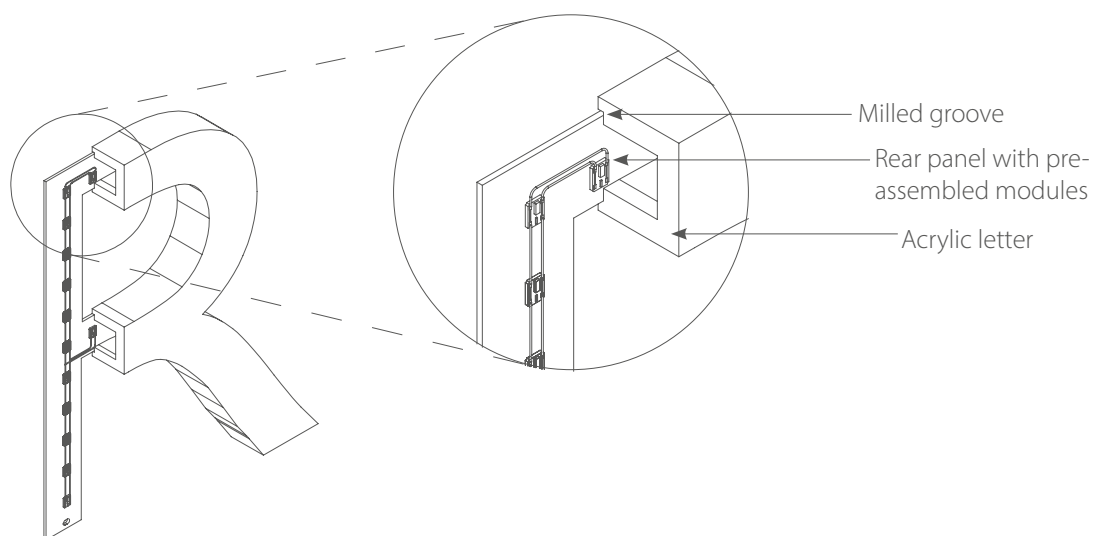
DIMENSION [mm]



Typ	micron _{12V-PY}					
	W6,5K	W4K	W3K	R	G	B
Symbol	M113173	M113133	M113113	M113303	M113313	M113323
Color	white 6500K	white 4000K	white 3000K	red	green	blue
Voltage [V DC]	12	12	12	12	12	12
Current [mA]	17	17	17	17	17	17
Power consumption [W]	0,20	0,20	0,20	0,20	0,20	0,20
Luminous flux [lm]	25	25	25	5	8,4	2
Light output [lm/W]	125	125	125	25	42	10
Beam angle [°]	120	120	120	120	120	120
Degree of protection	IP67	IP67	IP67	IP67	IP67	IP67
Wavelength [µm]	-	-	-	625	525	460
Operating temperature [°C]	-20 - +60	-20 - +60	-20 - +60	-20 - +60	-20 - +60	-20 - +60
LEDs	SMD2835	SMD2835	SMD2835	SMD2835	SMD2835	SMD2835
Max. Number of modules in series [pcs.]	50	50	50	50	50	50
Lifetime [h]	50.000	50.000	50.000	50.000	50.000	50.000
Warranty [mc]	36	36	36	36	36	36
Packing [pcs.]	100	100	100	100	100	100

APPLICATION EXAMPLE

Illumination of acrylic letters



Note:
 Products that are designed for milled grooves, full acrylic letters, etc. are not suitable for potting in every case or in every combination. It depends on the area of application, type of liquid, conditions, etc. That is why we do not issue proof of suitability and there is still the customer's risk of encapsulating with silicone, etc. the products.

TABLE OF CONTENTS