

# micron<sub>5V</sub>

Typical applications: custom applications | internal spatial letters

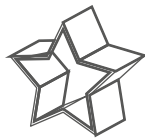


wide angle 120°

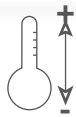
efficiency up to 92 lm/W  
the possibility of soldering  
additional modules



SHALL LETTERS  
SPATIAL



CUSTOM  
APPLICATIONS



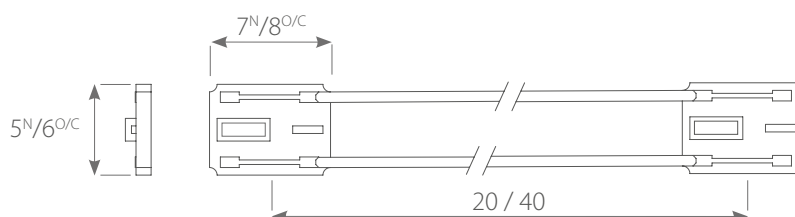
WIDE RANGE OF  
TEMPERATURE



Micron<sub>5V</sub> modules have been specially designed for transparent and small projects. They can be placed in milled grooves and illuminate the front of the letter from behind. The modules can be mounted on a back wall as shown in the drawing. Thanks to the beam angle of 120° or 175°, even very shallow systems can be illuminated homogeneously from approx. 30 mm. The modules can be soldered from both sides thanks to their special design. Cable length can be adjusted according to customer needs. It is possible to connect up to 50 modules in series.

## DIMENSION [mm]

- 0 - micron<sub>5V-0</sub>
- N - micron<sub>5V-N</sub>
- C - micron<sub>5V-C</sub>

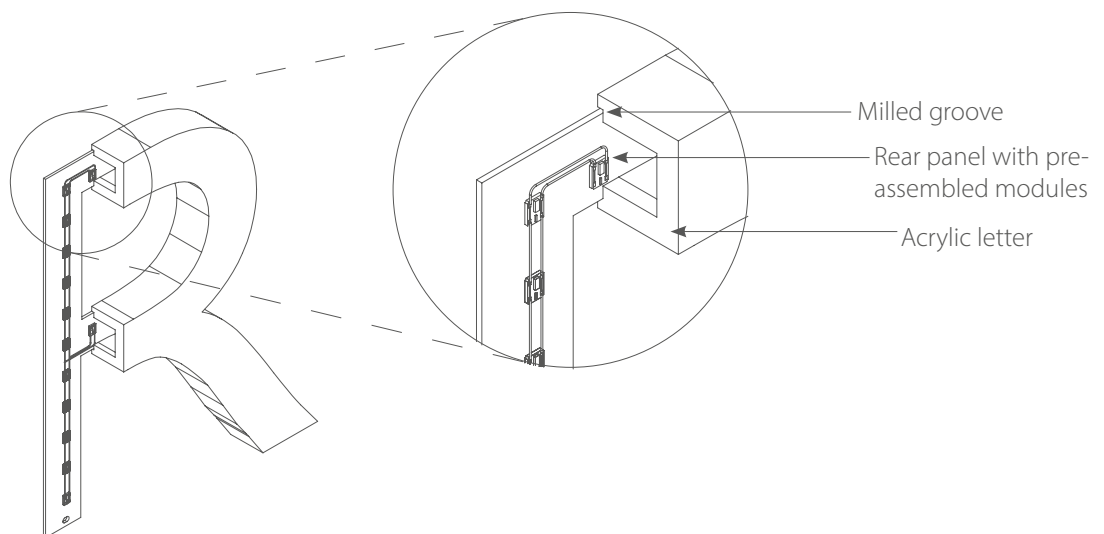


Typ	micron <sub>5V</sub>					
	W6,5K	W5K	W4K	R	G	B
Symbol	M11X170*	M11X140*	M11X130*	M11X300*	M11X310*	M11X320*
Color	white 6500K*	white 5000K*	white 4000K*	red	green	blue
Voltage [V DC]	5	5	5	5	5	5
Current [mA]	28	28	28	20	20	20
Power consumption [W]	0,14	0,14	0,14	0,10	0,10	0,10
Luminous flux [lm]	13	13	13	2,5	4,2	1
Light output [lm/W]	92	92	92	25	42	10
Beam angle [°]	120	120	120	120	120	120
Degree of protection	IP20	IP20	IP20	IP20	IP20	IP20
Wavelength [µm]	-	-	-	625	525	460
Operating temperature [°C]	-20 - +60	-20 - +60	-20 - +60	-20 - +60	-20 - +60	-20 - +60
LEDs	OSRAM	OSRAM	OSRAM	SMD3014	SMD3014	SMD3014
Max. Number of modules in series [pcs.]	50	50	50	50	50	50
Lifetime [h]	50.000	50.000	50.000	50.000	50.000	50.000
Warranty [mc]	36	36	36	36	36	36
Packing [pcs.]	50	50	50	50	50	50

\* X - means the distance between modules (from center to center): 0 - 20 mm version, 1 - 40 mm version  
 \* other available color temperatures: micron<sub>5V</sub> W2K (2000K), micron<sub>5V</sub> W2,2K (2200K), micron<sub>5V</sub> W2,5K (2500K), micron<sub>5V</sub> W2,7K (2700K), micron<sub>5V</sub> W3K (3000K), micron<sub>5V</sub> W3,5K (3500K), micron<sub>5V</sub> W5,7K (5700K), micron<sub>5V</sub> W7K (7000K - NICHIA 0,2W 175°), micron<sub>5V</sub> Y (yellow 590 µm), micron<sub>5V</sub> A (orange / amber 606 µm),

APPLICATION EXAMPLE

Illumination of acrylic letters



Note:  
 Products that are designed for milled grooves, full acrylic letters, etc. are not suitable for potting in every case or in every combination. It depends on the area of application, type of liquid, conditions, etc. That is why we do not issue proof of suitability and there is still the customer's risk of encapsulating with silicone, etc. the products.

TABLE OF CONTENTS