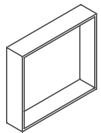


TYPE:

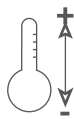
LED MODULE

vMAX₂

Typical applications: external installations | small and medium depth light projects



MEDIUM DEPTH
LIGHT PROJECTS



WIDE RANGE OF
TEMPERATURE

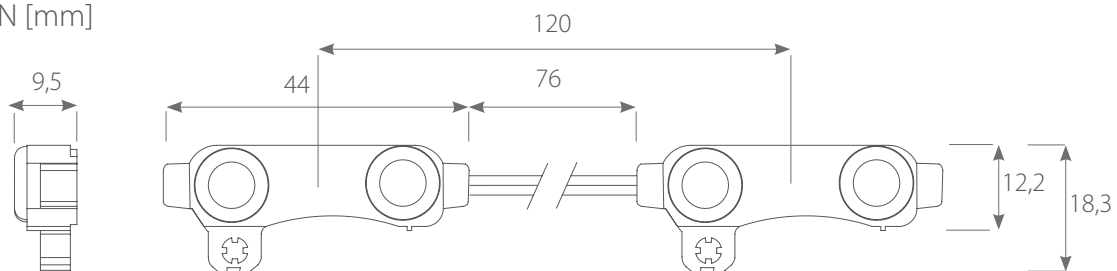


OUTSIDE
APPLICATIONS



vMAX₂ has a wide beam angle (160°) and good luminous flux. This module perfectly complements the vMAX₃ series and is ideal for small, flat and narrow profiles. Installation is very easy thanks to double-sided 3M™ industrial adhesive tape and mounting holes. vMAX₂ is protected against mechanical damage due to the durable plastic housing. Encapsulation of modules allows for a very high degree of protection IP68. The modules of the vMAX₂ series can be successfully used in places exposed to negative humidity as well as in external applications. An additional advantage of the vMAX series is the wide operating temperature range -20 °C - + 60 °C.

DIMENSION [mm]



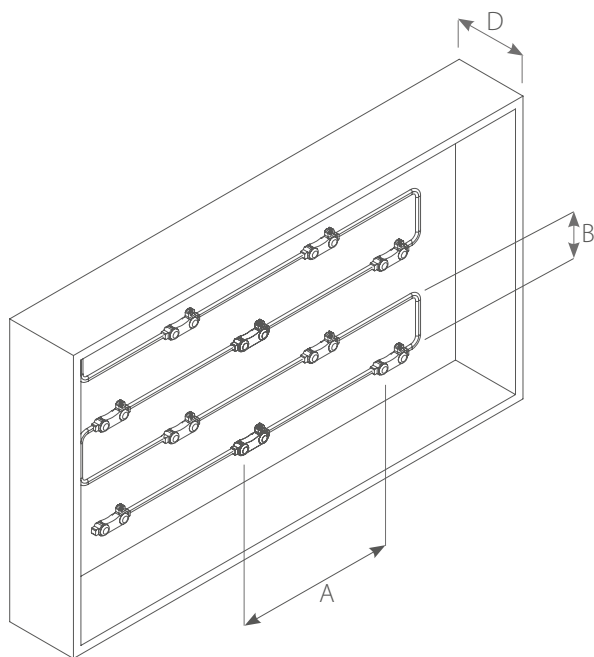
LEDlink

www.ledlink.de

Type	vMAX ₂				
	W7,5K	W4K	R	G	B
Symbol	M130190	M130130	M130300	M130310	M130320
Color	white 7500K	white 4000K	red	green	blue
Voltage [V DC]	12	12	12	12	12
Current [mA]	60	60	40	40	40
Power consumption [W]	0,72	0,72	0,48	0,48	0,48
Luminous flux [lm]	50	50	12	20,3	4,5
Light output [lm/W]	70	70	25	42	9,5
Beam angle [°]	160	160	160	160	160
Degree of protection	IP68	IP68	IP68	IP68	IP68
Wavelength [µm]	-	-	625	525	460
Operating temperature [°C]	-20 - +60	-20 - +60	-20 - +60	-20 - +60	-20 - +60
LEDs	LG Innotek	LG Innotek	SMD2835	SMD2835	SMD2835
Max. Number of modules in series [pcs.]	50	50	50	50	50
Lifetime [h]	50.000	50.000	50.000	50.000	50.000
Warranty [mc]	60	60	60	60	60
Packing [pcs.]	50	50	50	50	50

* other version available: vMAX2 Y 0,48W - yellow 590 µm (center to center distance 120 mm) - M130330

APPLICATION EXAMPLE



D - Depth

MOUNTING EXAMPLE *

D [mm]	A [mm]	B [mm]	Brightness [cd/m ²]
60	80	80	1504
80	90	90	1188
100	100	100	963
120	100	120	802
140	100	140	687

* The grid can change depending on the illuminated material

TABLE OF CONTENTS